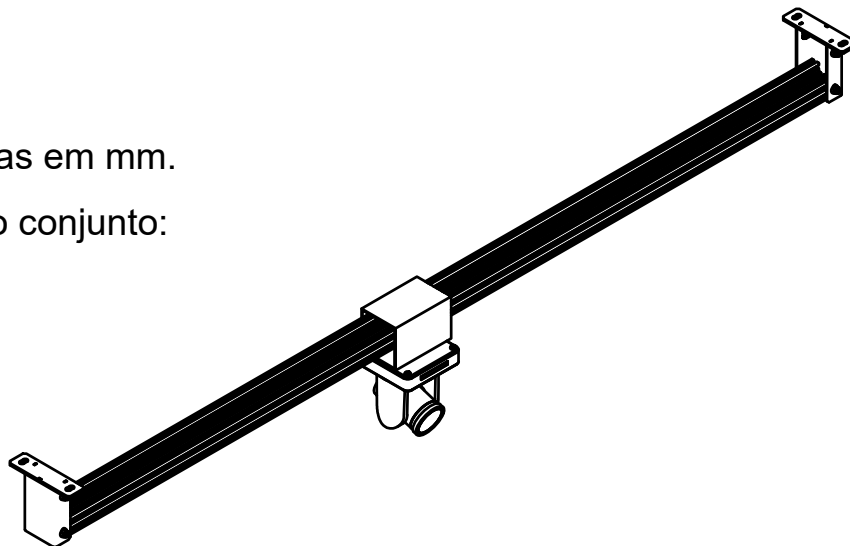


OBS: Medidas em mm.

Peso total do conjunto:  
9,5kg



Dept.	Technical reference	Created by <b>Osmar Garnica 09/05/2024</b>	Approved by		
<b>RC Broadcast</b>		Document type	Document status		
		Title <b>Trilho 2,20m</b>	DWG No.		
		Rev.	Date of issue	Sheet <b>1/1</b>	